

PUMPPORT[®]

Made In Turkey

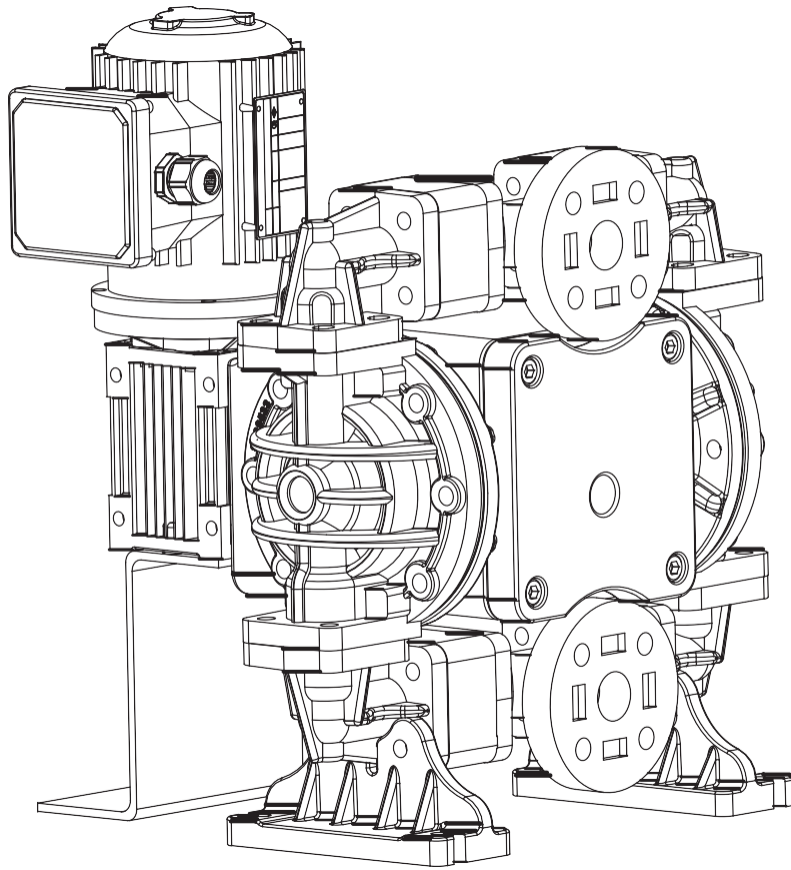
Akışkan Transfer Pompalar
Fluid Trasfer Pumps



www.pumpport.com

Made In Turkey [®]
PUMPPORT

ELECTRIC DIAPHRAGM PUMP



PP05 E

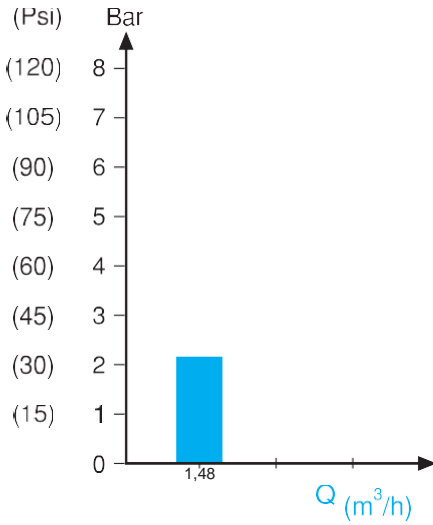


MODEL	PP05 E
MAX. OPERATING PRESSURE (bar)	2
VOLTAGE (Volt)	380/220 Volt 50 Hz
ENGINE POWER (Kw)	0,37
FLOW IN ONE STROKE (Lt/Strok)	0,2
MAX PRESSURE HEIGHT (Mss)	20
DRY SUCTION DEPTH (Meter)	4
PARTICLE PERMEABILITY (mm)	3
CAPACITY (m3/H)	1,48
REDUCER SPEED (D/d)	60
MAX OPERATING TEMPERATURE (° C)	100
INPUT (Inch)	3/4
OUTPUT (Inch)	3/4

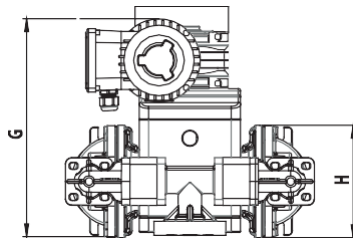
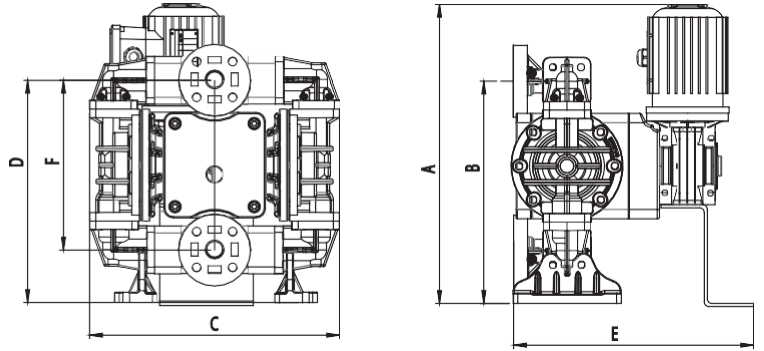
ELECTRIC DIAPHRAGM PUMP CODE SYSTEM

MODEL	PUMP TYPE	BODY MATERIAL	DIAPHRAGM	BALL	BALL SLOT
PP05	E Electric	AL ALUMINUM	T PTFE	T PTFE	T PTFE
		PP POLYPROPLENE	S SANTOPRENE	S SANTOPRENE	S SANTOPRENE
		SS STAINLESS STEEL	N NEOPRENE	N NEOPRENE	N NEOPRENE
		PVDF POLIVINILDFLORUR	B BUNA-N	B BUNA-N	B BUNA-N
			V VITON	V VITON	V VITON
			E EPDM	E EPDM	E EPDM

PERFORMANCE CURVE



Electric diaphragm pumps are produced in two types as HEAVY DUTY and LIGHT DUTY TYPE. Light duty electric diaphragm pumps are generally used where excess outlet pressure is not desired and fluid circulation is desired. It can also be used mobile with its light and ergonomic structure. In addition, since it is electric, it provides ease of use for businesses that do not have an air compressor. Thanks to different body and diaphragm options, it is easily used in



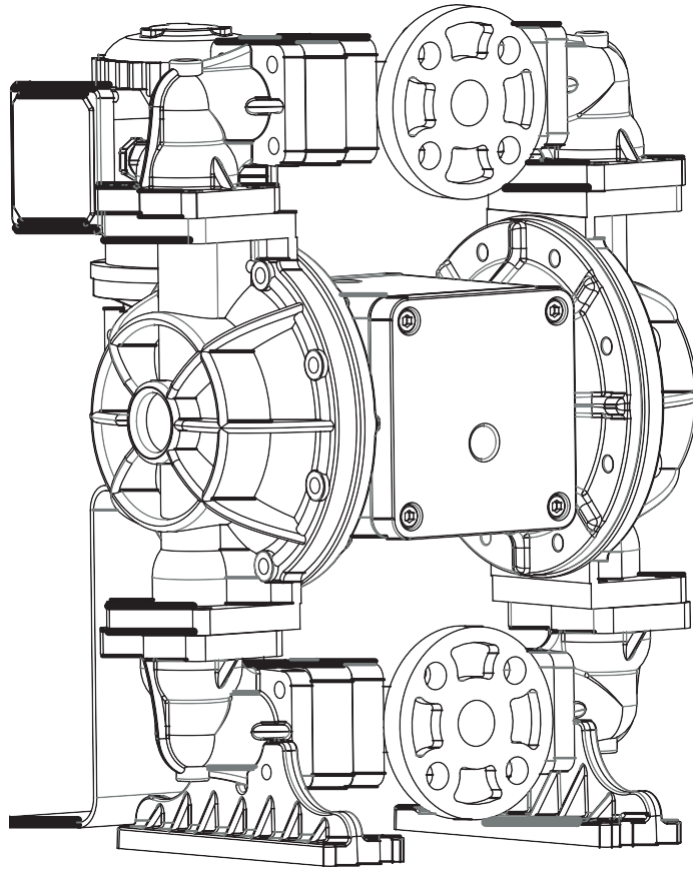
A	B	C	D	E	F	G	H
388	288	323	288	310	220	281	145

USAGE AREA

- MEDICAL
- FOOD INDUSTRY
- COLOR AND COATING INDUSTRY
- WASTEWATER TREATMENT INDUSTRY
- CHEMICAL INDUSTRY
- COAL INDUSTRY
- CERAMIC INDUSTRY
- RAFINERY

Made In Turkey [®]
PUMPPORT

ELECTRIC DIAPHRAGM PUMP



PP10 E

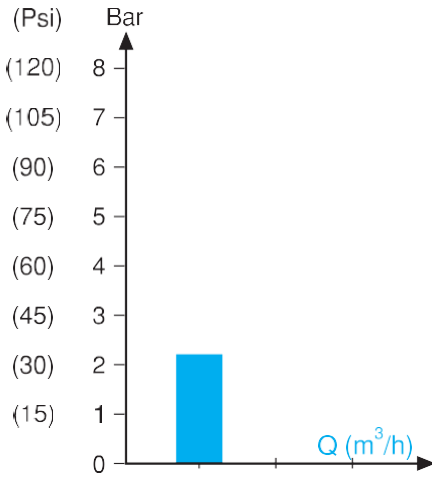


MODEL	PP10 E
MAX. OPERATING PRESSURE (bar)	2
VOLTAGE (Volt)	380/220 Volt 50 Hz
ENGINE POWER (Kw)	0,55
FLOW IN ONE STROKE (Lt/Strok)	0,55
MAX PRESSURE HEIGHT (Mss)	20
DRY SUVTION DEPTH (Meter)	4
PARTICLE PERMEABILITY (mm)	4
CAPACITY (m3/H)	4
REDUCER SPEED (D/d)	60
MAX. OPERATING TEMPERATURE (°C)	100
INPUT (Inch)	1
OUTPUT (Inch)	1

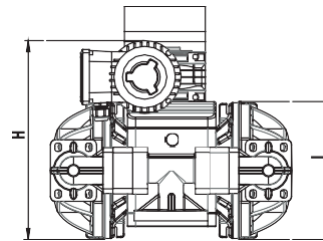
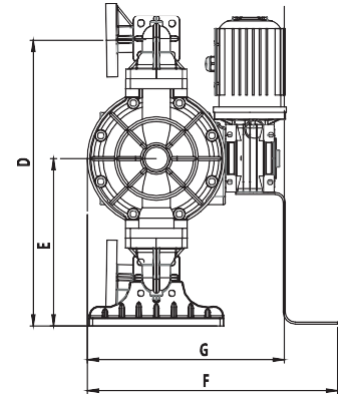
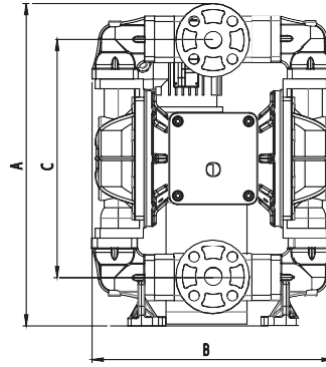
ELECTRIC DIAPHRAGM PUMP CODE SYSTEM

MODEL	PUMP TYPE	BODY MATERIAL	DIAPHRAGM	BALL	BALL SLOT
PP10	E Electric	AL ALUMINUM	T PTFE	T PTFE	T PTFE
		PP POLYPROPLENE	S SANTOPRENE	S SANTOPRENE	S SANTOPRENE
		SS STAINLESS STEEL	N NEOPRENE	N NEOPRENE	N NEOPRENE
		PVDF POLIVINILDFLORUR	B BUNA-N	B BUNA-N	B BUNA-N
			V VITON	V VITON	V VITON
			E EPDM	E EPDM	E EPDM

PERFORMANCE CURVE



Electric diaphragm pumps are produced in two types as HEAVY DUTY and LIGHT DUTY TYPE. Light duty electric diaphragm pumps are generally used where excess outlet pressure is not desired and fluid circulation is desired. It can also be used mobile with its light and ergonomic structure. In addition, since it is electric, it provides ease of use for businesses that do not have an air compressor. Thanks to different body and diaphragm options, it is easily used in



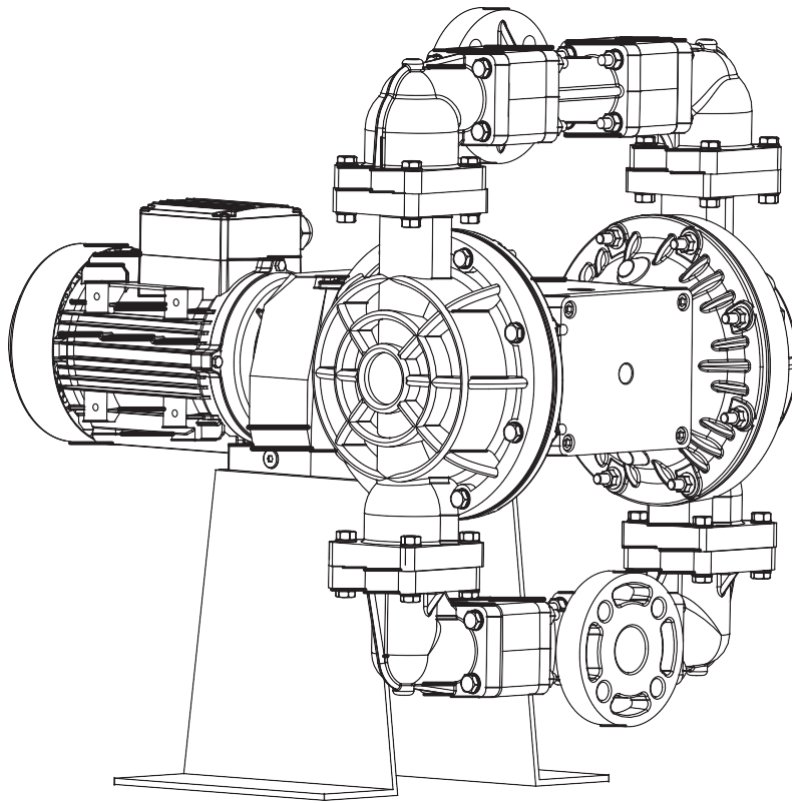
A	B	C	D	E	F	G	H	I
478	357	354	424	248	370	292	294	204

USAGE AREA

- MEDICAL
- FOOD INDUSTRY
- COLOR AND COATING INDUSTRY
- WASTEWATER TREATMENT INDUSTRY
- CHEMICAL INDUSTRY
- COAL INDUSRTY
- CERAMIC INDUSTRY
- RAFINERY

Made In Turkey [®]
PUMPPORT

ELECTRIC DIAPHRAGM PUMP



PP15 E
PP20 E
PP30 E

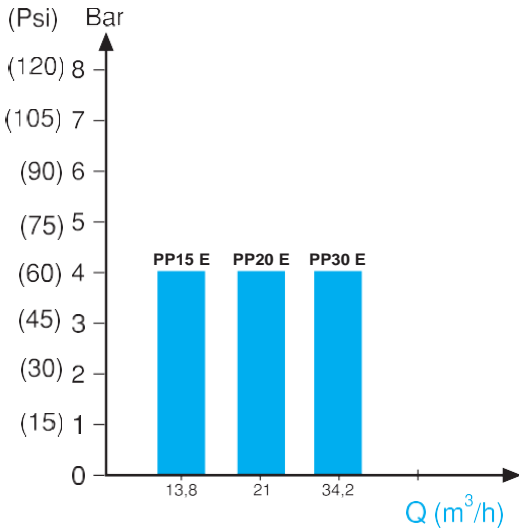


MODEL	PP15 E	PP20 E	PP30 E
MAX. OPERATING PRESSURE (bar)	4	4	4
VOLTAGE (Volt)	380 Volt 50 Hz	380 Volt 50 Hz	380 Volt 50 Hz
ENGINE POWER (Kw)	4	5,5	7,5
FLOW IN ONE STROKE (Lt/Strok)	1,47	2,24	3,65
MAX PRESSURE HEIGHT (Mss)	40	40	40
DRY SUVTION DEPTH (Meter)	5	5	5
PARTICLE PERMEABILITY (mm)	6	6	8
CAPACITY (m3/H)	13,8	21	34,2
REDUCER SPEED (D/d)	78	78	78
MAX. OPERATING TEMPERATURE (°C)	100	100	100
INPUT (Inch)	1½	2	3
OUTPUT (Inch)	1½	2	3

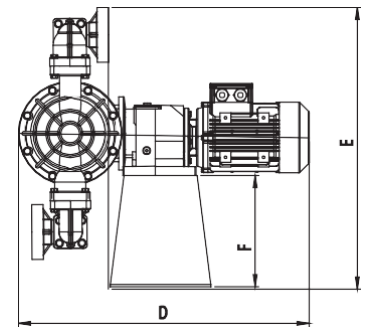
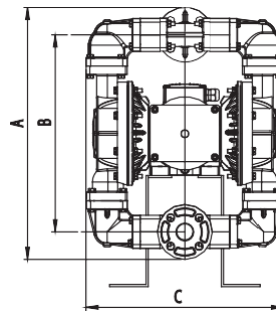
ELECTRIC DIAPHRAGM PUMP CODE SYSTEM

MODEL	PUMP TYPE		BODY MATERIAL		DIAPHRAGM		BALL		BALL SLOT	
PP15	E	Elektrik	AL	ALUMINUM	T	PTFE	T	PTFE	T	PTFE
PP20	E	Elektrik	PP	POLYPROPLENE	S	SANTOPRENE	S	SANTOPRENE	S	SANTOPRENE
PP30	E	Elektrik	SS	STAINLESS STEEL	N	NEOPRENE	N	NEOPRENE	N	NEOPRENE
			PVDF	POLIVINILDIFLORUR	B	BUNA-N	B	BUNA-N	B	BUNA-N
					V	VITON	V	VITON	V	VITON
					E	EPDM	E	EPDM	E	EPDM

PERFORMANCE CURVE

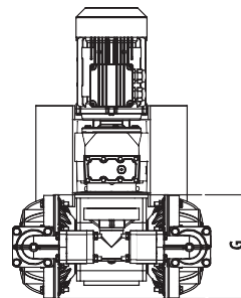


Electric diaphragm pumps are produced in two types as HEAVY DUTY and LIGHT DUTY TYPE. Light duty electric diaphragm pumps are generally used where excess outlet pressure is not desired and fluid circulation is desired. It can also be used mobile with its light and ergonomic structure. In addition, since it is electric, it provides ease of use for businesses that do not have an air compressor. Thanks to different body and diaphragm options, it is easily used in



USAGE AREA

- MEDICAL
- FOOD INDUSTRY
- COLOR AND COATING INDUSTRY
- WASTEWATER TREATMENT INDUSTRY
- CHEMICAL INDUSTRY
- COAL INDUSRTY
- CERAMIC INDUSTRY
- RAFINERY



A	B	C	D	E	F	G
690	538	540	800	770	30	283

www.pumpport.com

Made In Turkey
PUMPORT®

Pumpport Pompa ve Makina Sanayi



İkitelli Osb Mah. Bixan B1 Blok Sok. Bixan B1 Blok No:1 B1 İç Kapı No:52
Başakşehir / İSTANBUL

✉ sales@pumpport.com

☎ 0212 485 84 54