

PUMPPORT[®]

Made In Turkey

Akışkan Transfer Pompalar
Fluid Trasfer Pumps



www.pumpport.com

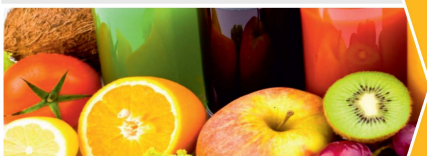
DT SERIES

HELICAL GEAR PUMPS

USAGE AREAS



➤ **Chemical Industry**



➤ **Food Industry**



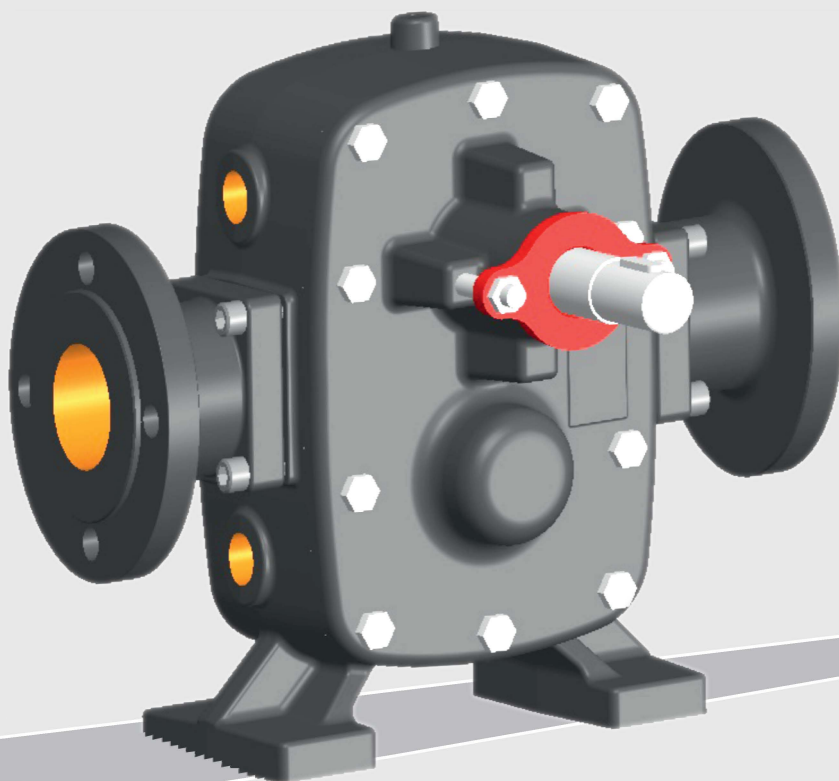
➤ **Paint and Ink Industry**

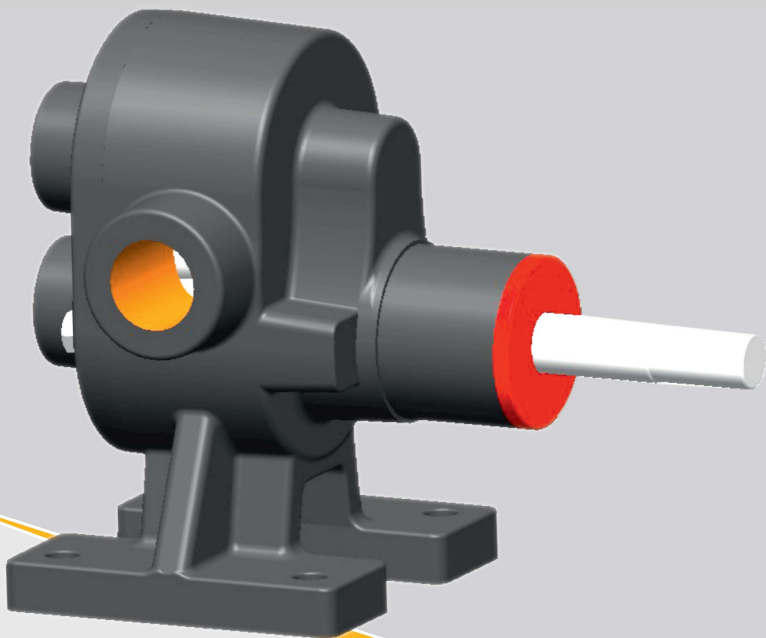


➤ **Petroleum Chemical Industry**



➤ **Shipbuilding and Marine Industry**





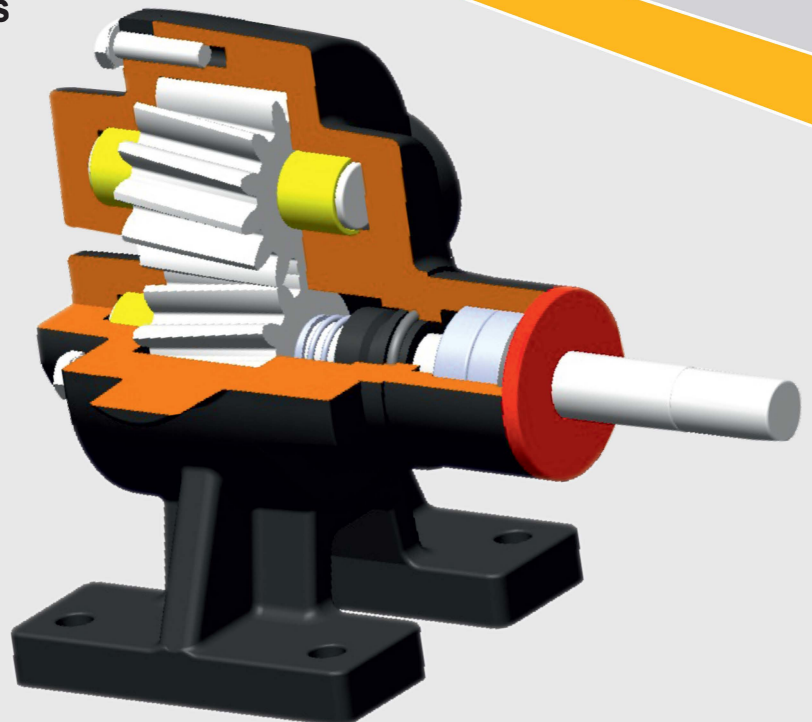
Pumpport Gear Pump

Helical gear pumps are produced from stainless steel and casted materials. Gear pumps which are perfect for fluid with different characteristics with high and low viscosity are used in food, beverage and medicine industries varying from fuel transmission to different chemicals together with its hygienic series.

Gear pumps with compact and simple operation logic are safe and long-lasting systems. Besides, they are presented at a reasonable price rate for you.

Primary Characteristics of Gear Pumps

- ◆ Easy installation and maintenance
- ◆ Constant flow rate
- ◆ Pumping different fluids
- ◆ Ideal for fluids with high viscosity
- ◆ Endurable construction
- ◆ High capacity
- ◆ Includes great variety of materials in the design

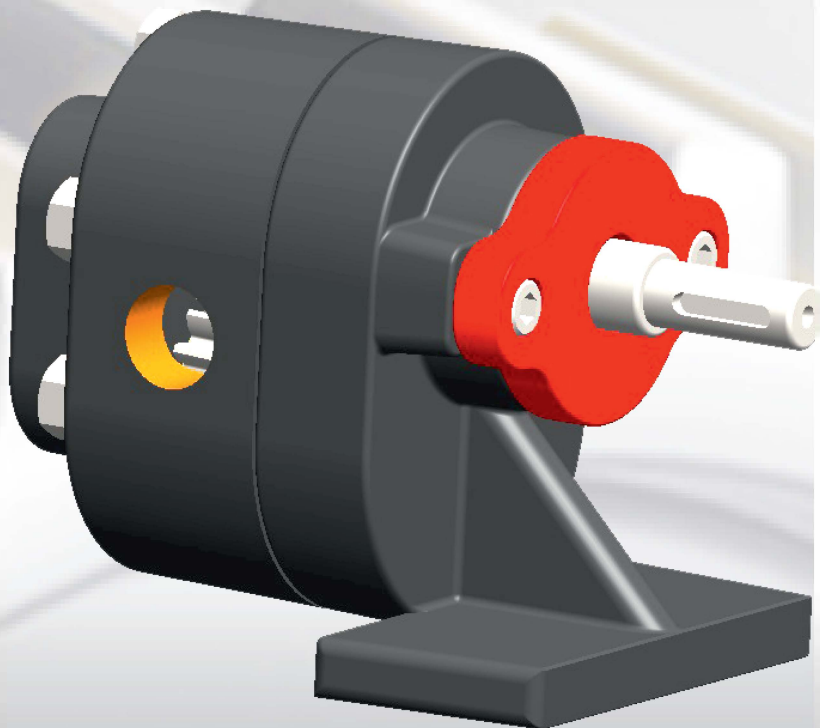


DT 050 HELICAL GEAR PUMPS

TECHNICAL SPECIFICATIONS

Flow Rate (m ³ /h)	0,5		
Pressure (bar)	2	4	6
Power (kW)	0,37	0,55	0,55
Cycle (rpm)	1500	1500	1500
Inlet - Outlet	R 1/2"		

- Values are for 220 cst. Please get in contact with our firm for different viscosity values.



USAGE AREAS

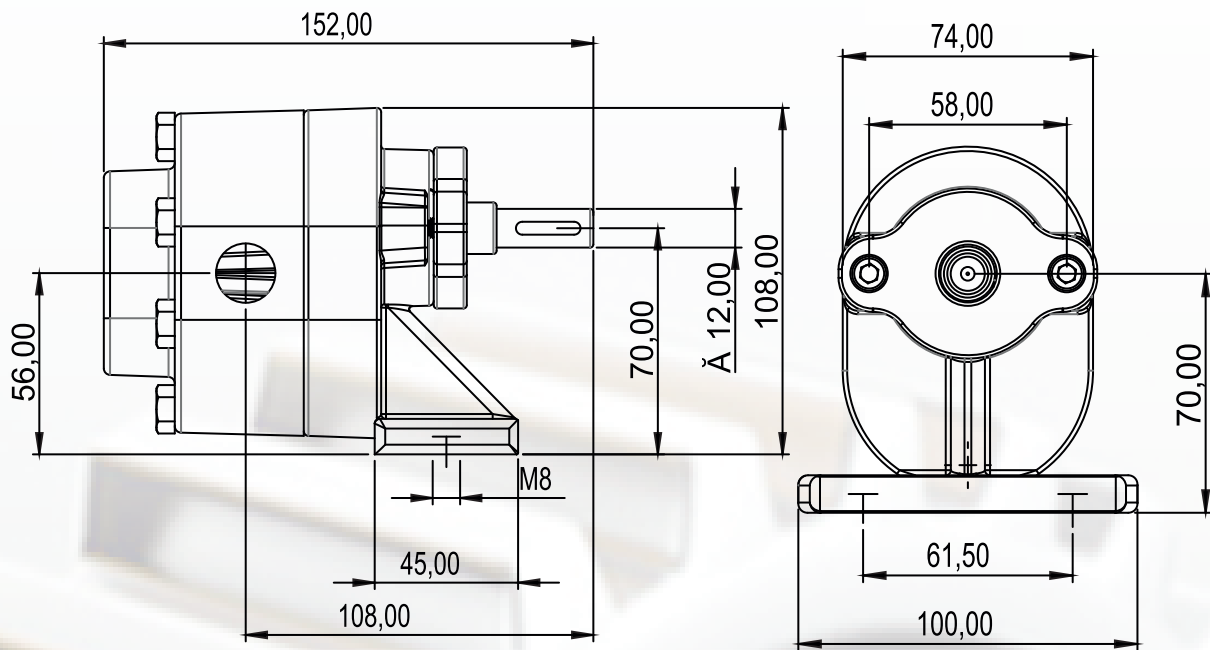
- ◆ Chemical Industry
- ◆ Food Industry
- ◆ Dye and Ink Industry
- ◆ Petroleum Chemical Industry
- ◆ Shipbuilding and Marine Industry

TECHNICAL SPECIFICATIONS AND PRODUCT ADVANTAGES

- ◆ Operable in large viscosity range
- ◆ Endurable construction
- ◆ High capacity in high efficiency
- ◆ Heat of the fluid which is transferred can be maintained.
- ◆ Low cavitation risk

USAGE OPTIONS

- ◆ Heating Cooling Ruler
- ◆ Gear Connected



MEASUREMENTS

MATERIALS

BODY	Gray Cast Iron, Nodular Cast Iron
	Stainless Steel 316-304
	Bronze Gbz14
SHAFT SEALING	Felt
	Soft Sealing
	Mechanical Sealing
	Cartex Packing
BED MATERIALS	Bronze, Carbon, Teflon
SHAFT	Steel, Stainless Steel, Teflon, Castermid
GEARS	Steel, Stainless Steel

DT 100 HELICAL GEAR PUMPS

TECHNICAL SPECIFICATIONS

Flow Rate (m ³ /h)	5		
Pressure (bar)	2	4	6
Power (kW)	1,1	2,2	3
Cycle (rpm)	1500	1500	1500
Inlet - Outlet	R1"		

- Values are for 220 cst. Please get in contact with our firm for different viscosity values.



USAGE AREAS

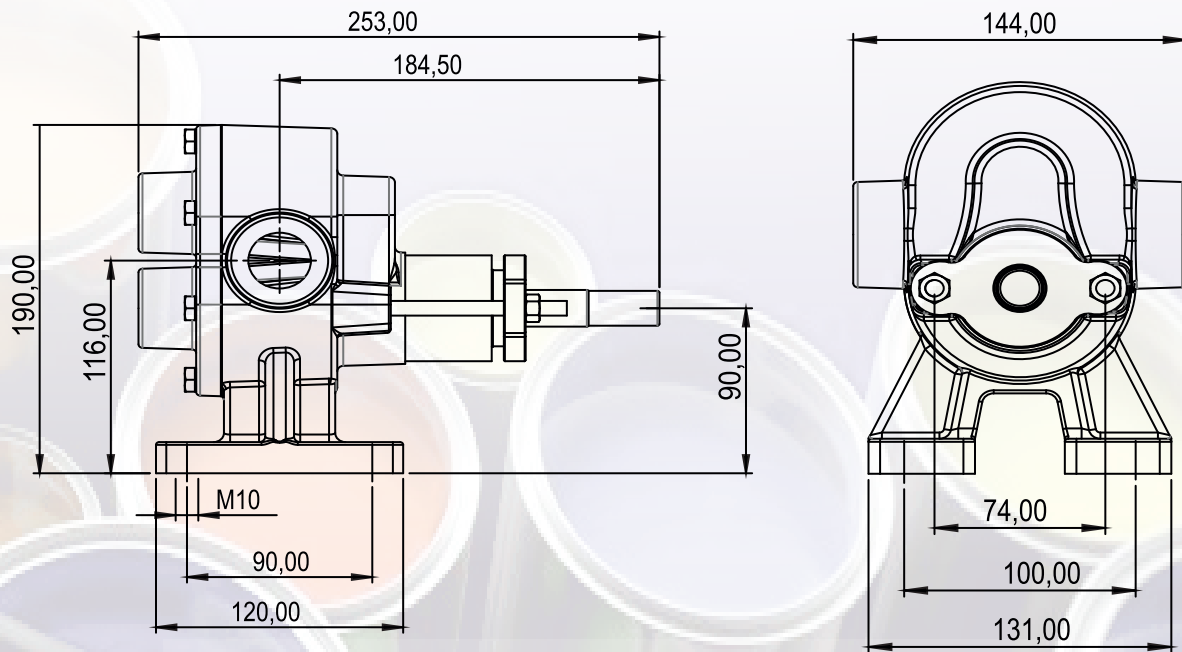
- ◆ Chemical Industry
- ◆ Food Industry
- ◆ Dye and Ink Industry
- ◆ Petroleum Chemical Industry
- ◆ Shipbuilding and Marine Industry

TECHNICAL SPECIFICATIONS AND PRODUCT ADVANTAGES

- ◆ Operable in large viscosity range
- ◆ Endurable construction
- ◆ High capacity in high efficiency
- ◆ Heat of the fluid which is transferred can be maintained.
- ◆ Low cavitation risk

USAGE OPTIONS

- ◆ Heating Cooling Ruler
- ◆ Gear Connected



MATERIALS

BODY	Gray Cast Iron, Nodular Cast Iron
	Stainless Steel 316-304
	Bronze Gbz14
SHAFT SEALING	Felt
	Soft Sealing
	Mechanical Sealing
	Cartex Packing
BED MATERIALS	Bronze, Carbon, Teflon
SHAFT	Steel, Stainless Steel, Teflon, Castermid
GEARS	Steel, Stainless Steel

DT 150 HELICAL GEAR PUMPS

TECHNICAL SPECIFICATIONS

Flow Rate (m ³ /h)	10		
Pressure (bar)	2	4	6
Power (kW)	3	4	6
Cycle (rpm)	1000	1000	1000
Inlet - Outlet	R1 1/2"		

- Values are for 220 cst. Please get in contact with our firm for different viscosity values.
- Pump series with heating jacket have heating jackets on the body part.



USAGE AREAS

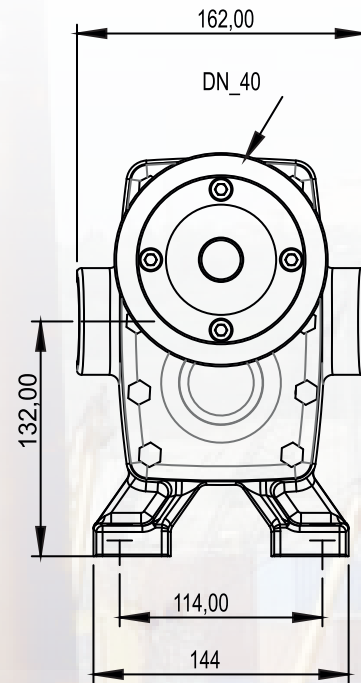
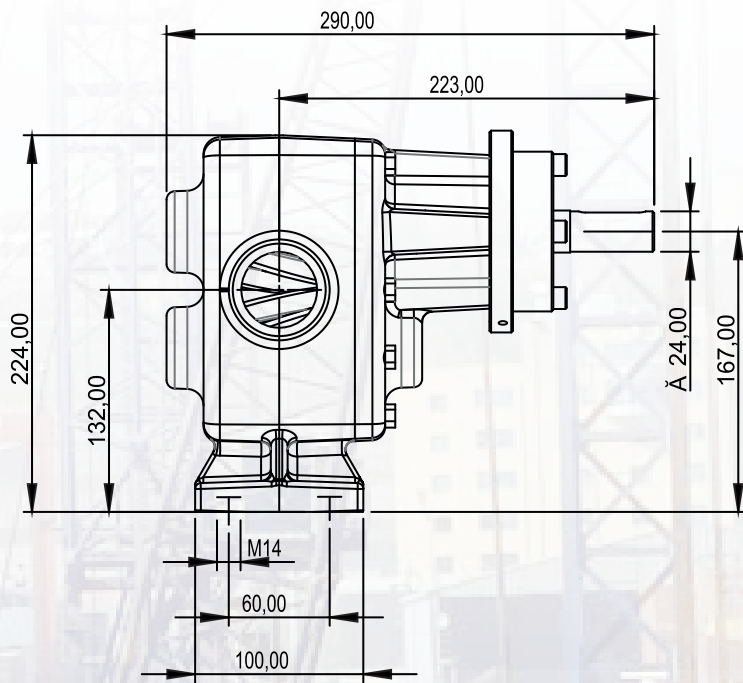
- ◆ Chemical Industry
- ◆ Food Industry
- ◆ Dye and Ink Industry
- ◆ Petroleum Chemical Industry
- ◆ Shipbuilding and Marine Industry

TECHNICAL SPECIFICATIONS AND PRODUCT ADVANTAGES

- ◆ Operable in large viscosity range
- ◆ Endurable construction
- ◆ High capacity in high efficiency
- ◆ Heat of the fluid which is transferred can be maintained.
- ◆ Low cavitation risk

USAGE OPTIONS

- ◆ Heating Cooling Ruler
- ◆ Gear Connected



MEASUREMENTS

MATERIALS

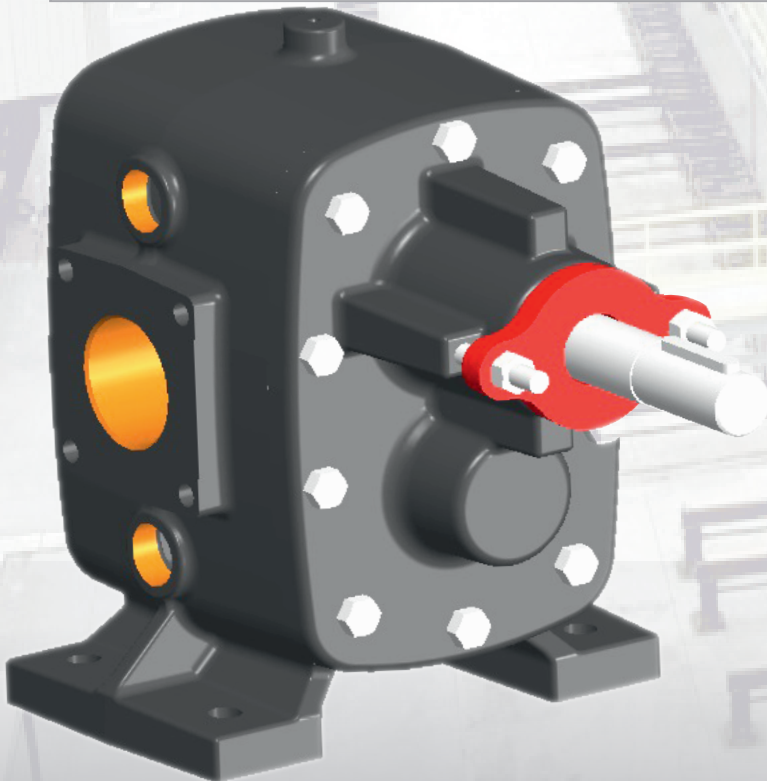
BODY	Gray Cast Iron, Nodular Cast Iron
	Stainless Steel 316-304
	Bronze Gbz14
SHAFT SEALING	Felt
	Soft Sealing
	Mechanical Sealing
	Cartex Packing
BED MATERIALS	Bronze, Carbon, Teflon
SHAFT	Steel, Stainless Steel, Teflon, Castermid
GEARS	Steel, Stainless Steel

DT 200 HELICAL GEAR PUMPS

TECHNICAL SPECIFICATIONS

Flow Rate (m ³ /h)	25		
Pressure (bar)	2	4	6
Power (kW)	4	11	15
Cycle (rpm)	1000	1000	1000
Inlet - Outlet	R2" - DN50 PN16		

- Values are for 220 cst. Please get in contact with our firm for different viscosity values.
- Our pump series with heating jacket have heat jackets on the body.
- Our standard connection type is gear connection. Flange connection can be realized optionally.



USAGE AREAS

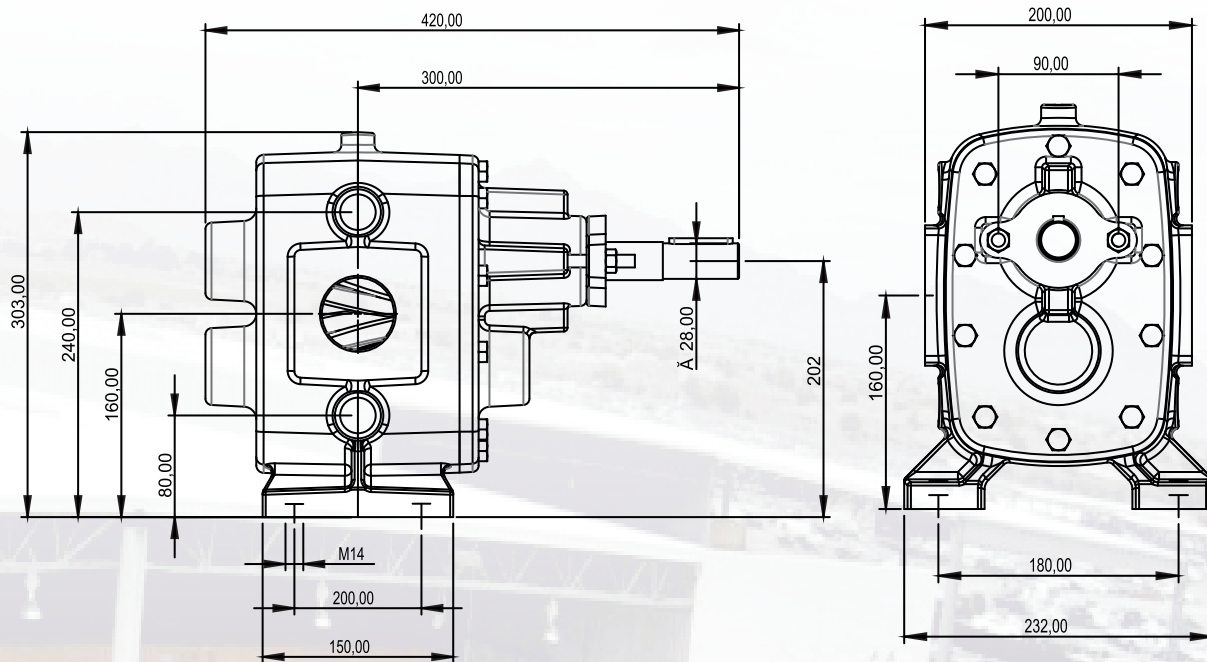
- ◆ Chemical Industry
- ◆ Food Industry
- ◆ Dye and Ink Industry
- ◆ Petroleum Chemical Industry
- ◆ Shipbuilding and Marine Industry

TECHNICAL SPECIFICATIONS AND PRODUCT ADVANTAGES

- ◆ Operable in large viscosity range
- ◆ Endurable construction
- ◆ High capacity in high efficiency
- ◆ Heat of the fluid which is transferred can be maintained.
- ◆ Low cavitation risk

USAGE OPTIONS

- ◆ Heating Cooling Ruler
- ◆ Gear Connected



MEASUREMENTS

MATERIALS

BODY	Gray Cast Iron, Nodular Cast Iron
	Stainless Steel 316-304
	Bronze Gbz14
SHAFT SEALING	Felt
	Soft Sealing
	Mechanical Sealing
	Cartex Packing
BED MATERIALS	Bronze, Carbon, Teflon
SHAFT	Steel, Stainless Steel, Teflon, Castermid
GEARS	Steel, Stainless Steel

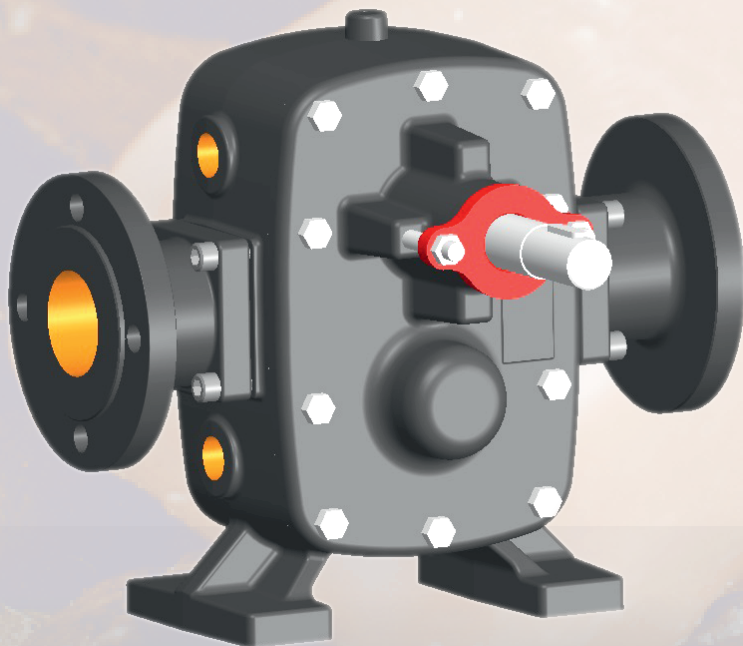
DT 201

HELICAL GEAR PUMPS

TECHNICAL SPECIFICATIONS

Flow Rate (m ³ /h)	25		
Pressure (bar)	8	10	12
Power (kW)	15	18,5	20
Cycle (rpm)	1000	1000	1000
Inlet - Outlet	R2 1/2" - DN65 PN16		

- Values are for 220 cst. Please get in contact with our firm for different viscosity values.
 - Our pump series with heating jacket have heat jackets on the body.



USAGE AREAS

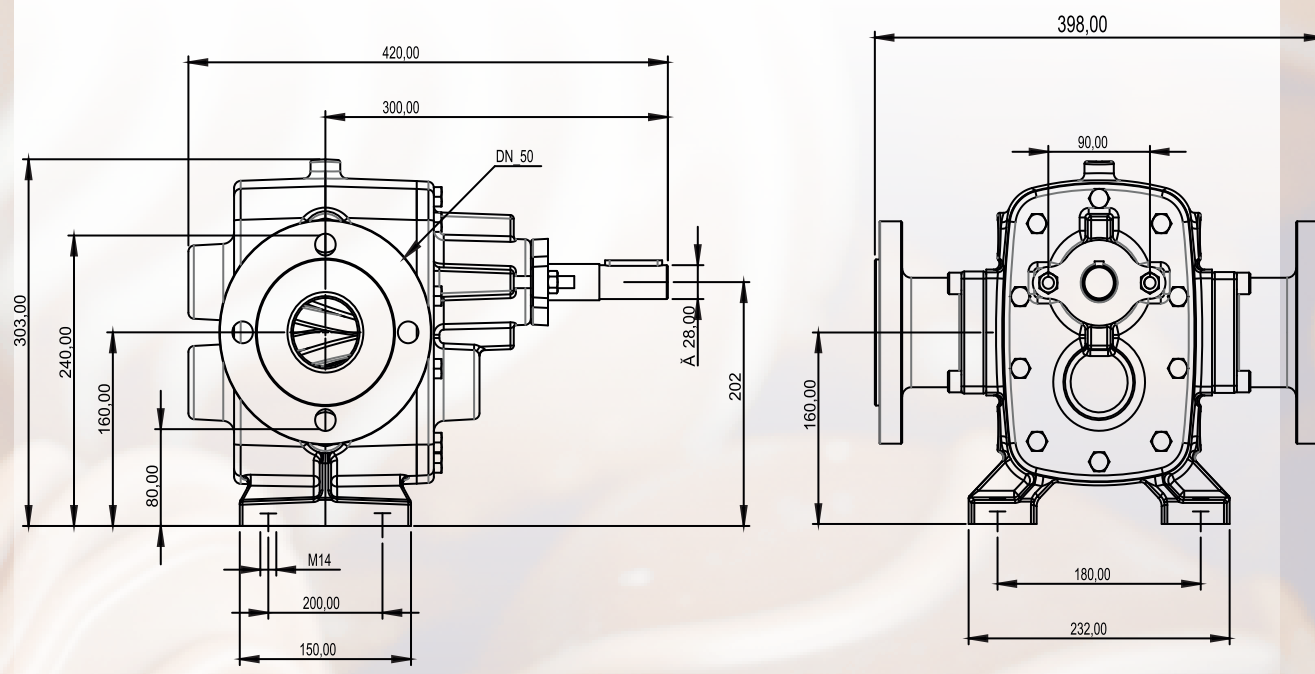
- ◆ Chemical Industry
- ◆ Food Industry
- ◆ Dye and Ink Industry
- ◆ Petroleum Chemical Industry
- ◆ Shipbuilding and Marine Industry

TECHNICAL SPECIFICATIONS AND PRODUCT ADVANTAGES

- ◆ Operable in large viscosity range
- ◆ Endurable construction
- ◆ High capacity in high efficiency
- ◆ Heat of the fluid which is transferred can be maintained.
- ◆ Low cavitation risk

USAGE OPTIONS

- ◆ Heating Cooling Ruler
- ◆ Gear Connected



MEASUREMENTS

MATERIALS

BODY	Gray Cast Iron, Nodular Cast Iron
	Stainless Steel 316-304
	Bronze Gbz14
SHAFT SEALING	Felt
	Soft Sealing
	Mechanical Sealing
	Cartex Packing
BED MATERIALS	Bronze, Carbon, Teflon
SHAFT	Steel, Stainless Steel, Teflon, Castermid
GEARS	Steel, Stainless Steel

DT 250 HELICAL GEAR PUMPS

TECHNICAL SPECIFICATIONS

Flow Rate (m ³ /h)	35		
Pressure (bar)	2	4	6
Power (kW)	5,5	15	18,5
Cycle (rpm)	1000	1000	1000
Inlet - Outlet	R2 1/2" - DN65 PN16		

- Values are for 220 cst. Please get in contact with our firm for different viscosity values.
- Our pump series with heating jacket have heat jackets on the body.
- Our standard connection type is gear connection. Flange connection can be realized optionally.



USAGE AREAS

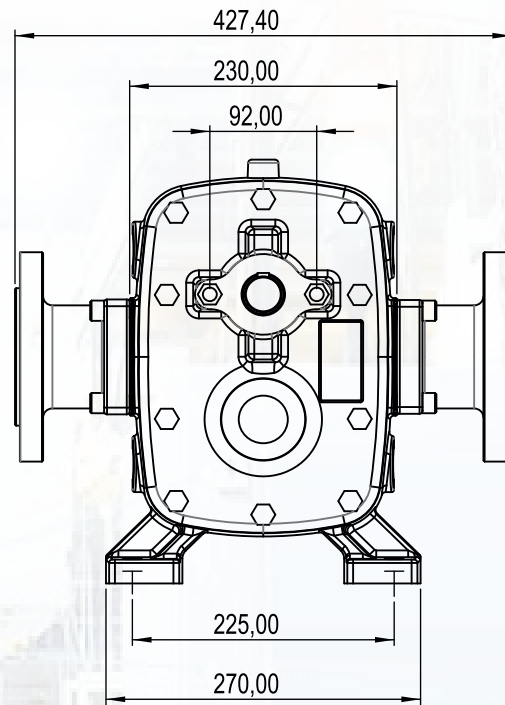
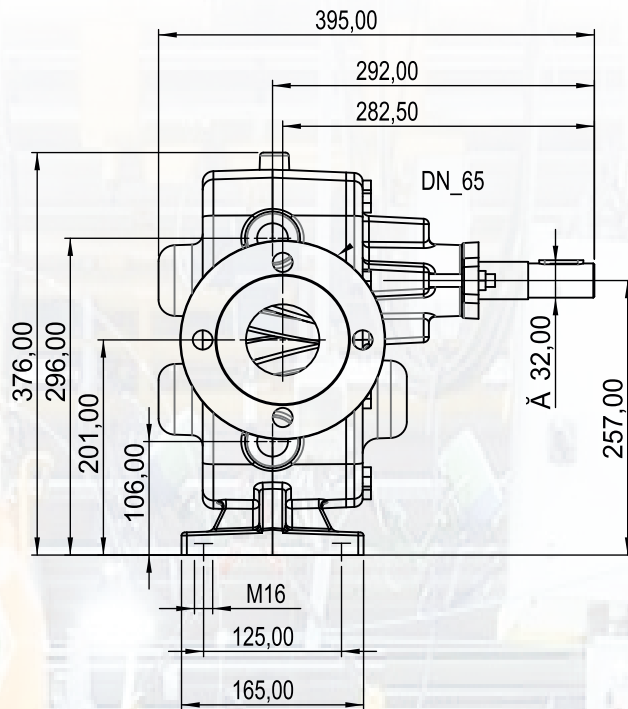
- ◆ Chemical Industry
- ◆ Food Industry
- ◆ Dye and Ink Industry
- ◆ Petroleum Chemical Industry
- ◆ Shipbuilding and Marine Industry

TECHNICAL SPECIFICATIONS AND PRODUCT ADVANTAGES

- ◆ Operable in large viscosity range
- ◆ Endurable construction
- ◆ High capacity in high efficiency
- ◆ Heat of the fluid which is transferred can be maintained.
- ◆ Low cavitation risk

USAGE OPTIONS

- ◆ Heating Cooling Ruler
- ◆ Gear Connected



MEASUREMENTS

MATERIALS

BODY	Gray Cast Iron, Nodular Cast Iron
	Stainless Steel 316-304
	Bronze Gbz14
SHAFT SEALING	Felt
	Soft Sealing
	Mechanical Sealing
	Cartex Packing
BED MATERIALS	Bronze, Carbon, Teflon
SHAFT	Steel, Stainless Steel, Teflon, Castermid
GEARS	Steel, Stainless Steel

POINTS TO CONSIDER IN SELECTING GEAR PUMP

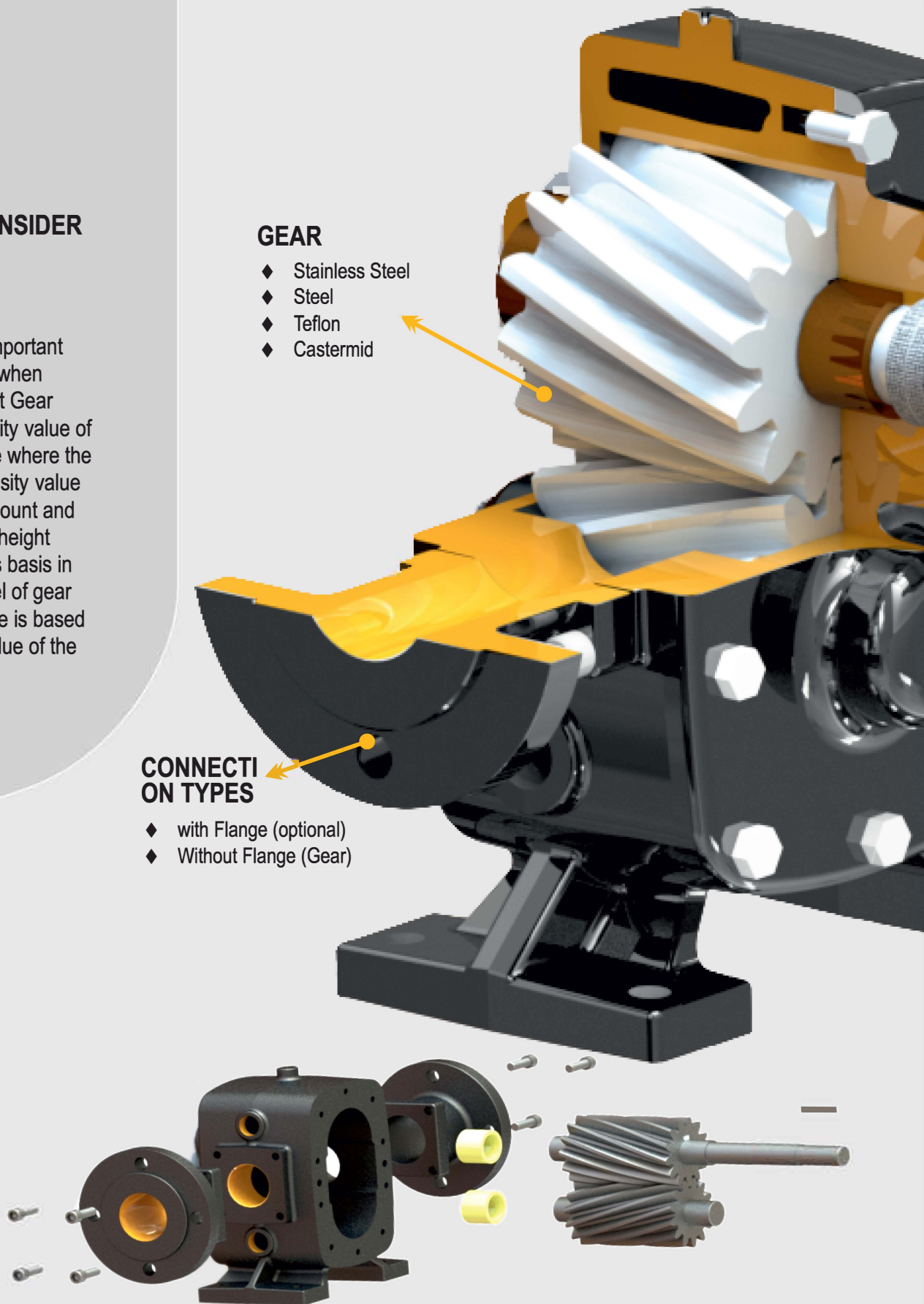
One of the most important points to consider when selecting Pumpport Gear Pump is the viscosity value of the fluid. The place where the fluid of which viscosity value is known, debit amount and intended pressing height should be taken as basis in selecting the model of gear pump. Engine cycle is based on the viscosity value of the fluid.

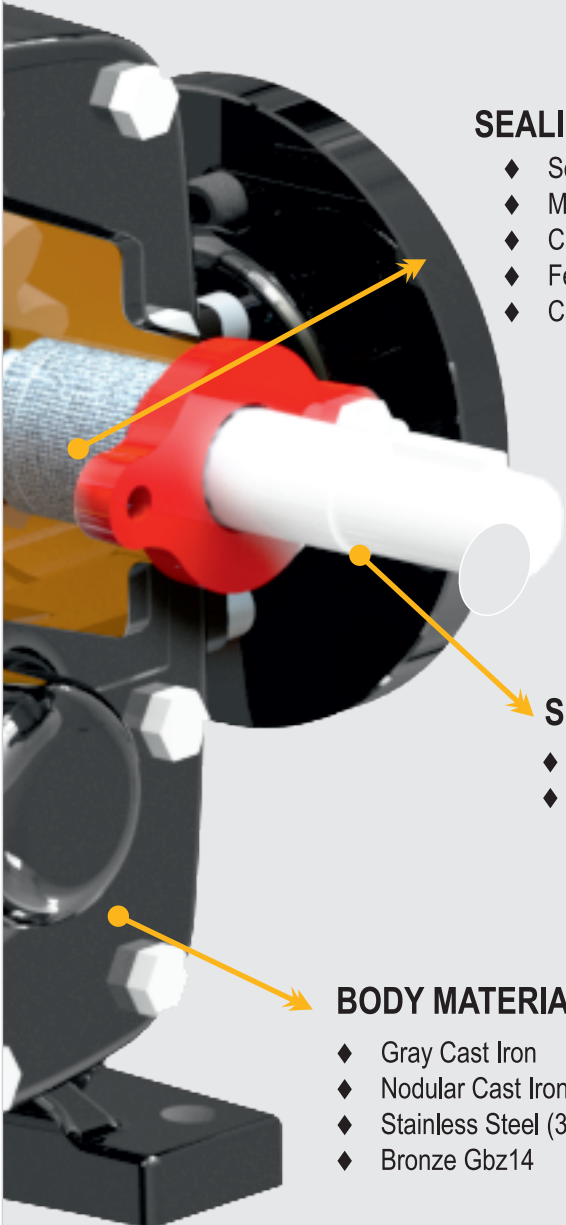
GEAR

- ◆ Stainless Steel
- ◆ Steel
- ◆ Teflon
- ◆ Castermid

CONNECTI ON TYPES

- ◆ with Flange (optional)
- ◆ Without Flange (Gear)





SEALING OPTIONS

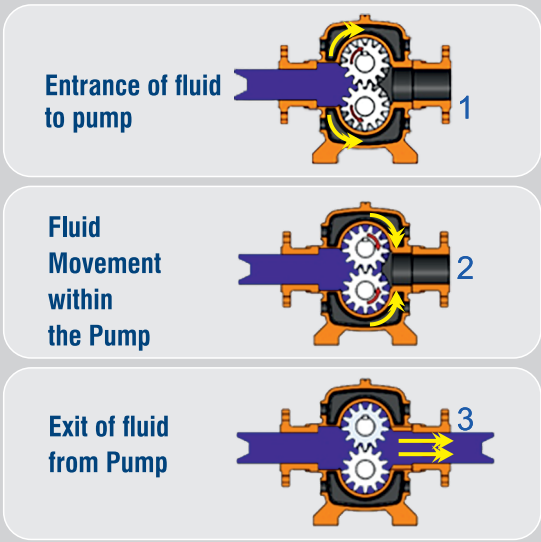
- ◆ Soft Sealing
- ◆ Mechanical Sealing
- ◆ Cartex Packing
- ◆ Felt
- ◆ Castermid

SHAFT

- ◆ Stainless Steel
- ◆ Steel

BODY MATERIAL

- ◆ Gray Cast Iron
- ◆ Nodular Cast Iron
- ◆ Stainless Steel (304-316)
- ◆ Bronze Gbz14



OPERATION PRINCIPLE OF GEAR PUMP

Two gears which are operating together are mounted into the body. Gear that is connected to the driving shaft moves the sliding gear. Vacuum caused by the moves of gears which are operating together at the small tolerances of the body transmits the fluid into the pump. Fluid which fills the empty parts of the gear moves towards the pump exit under pressure caused by the move of sliding rolling move that the gears make together. Gear pumps can operate in both directions.

DT 251

HELICAL GEAR PUMPS

TECHNICAL SPECIFICATIONS

Flow Rate (m ³ /h)	35		
Pressure (bar)	8	10	12
Power (kW)	22	30	30
Cycle (rpm)	1000	1000	1000
Inlet - Outlet	R3" - DN80 PN16		

- Values are for 220 cst. Please get in contact with our firm for different viscosity values.
 - Our pump series with heating jacket have heat jackets on the body.



USAGE AREAS

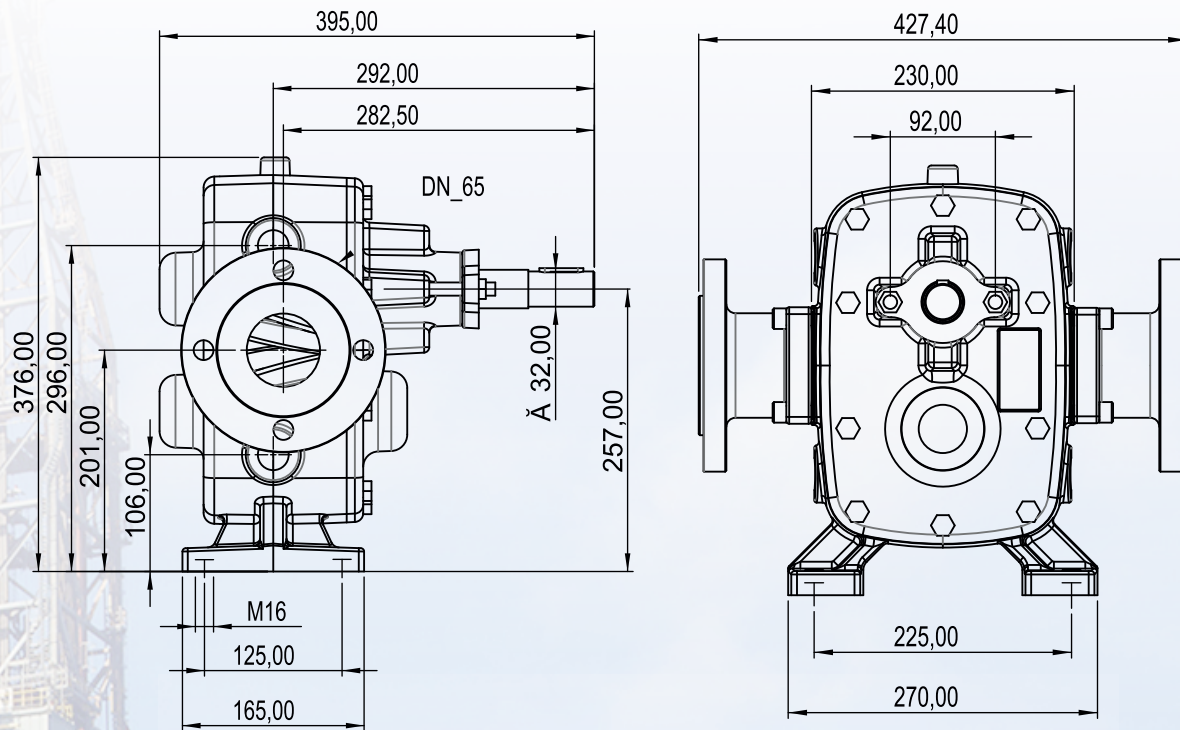
- ◆ Chemical Industry
- ◆ Food Industry
- ◆ Dye and Ink Industry
- ◆ Petroleum Chemical Industry
- ◆ Shipbuilding and Marine Industry

TECHNICAL SPECIFICATIONS AND PRODUCT ADVANTAGES

- ◆ Operable in large viscosity range
- ◆ Endurable construction
- ◆ High capacity in high efficiency
- ◆ Heat of the fluid which is transferred can be maintained.
- ◆ Low cavitation risk

USAGE OPTIONS

- ◆ Heating Cooling Ruler
- ◆ Gear Connected



MEASUREMENTS

MATERIALS

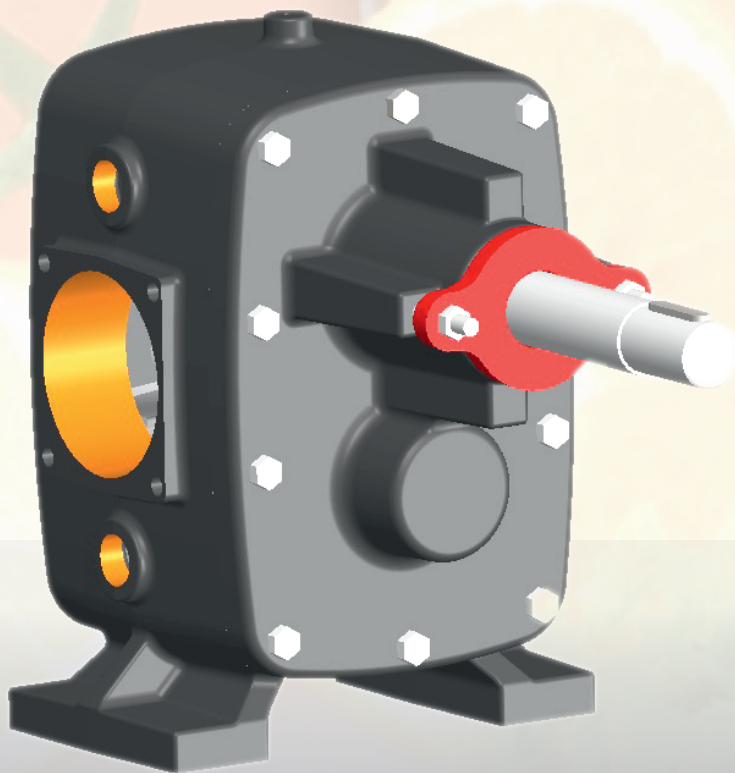
BODY	Gray Cast Iron, Nodular Cast Iron
	Stainless Steel 316-304
	Bronze Gbz14
SHAFT SEALING	Felt
	Soft Sealing
	Mechanical Sealing
BED MATERIALS	Cartex Packing
	Bronze, Carbon, Teflon
SHAFT	Steel, Stainless Steel, Teflon, Castermid
GEARS	Steel, Stainless Steel

DT 300 HELICAL GEAR PUMPS

TECHNICAL SPECIFICATIONS

Flow Rate (m ³ /h)	50		
Pressure (bar)	2	4	6
Power (kW)	7,5	18,5	22
Cycle (rpm)	1000	1000	1000
Inlet - Outlet	R3" - DN80 PN16		

- Values are for 220 cst. Please get in contact with our firm for different viscosity values.
- Our pump series with heating jacket have heat jackets on the body.
- Our standard connection type is gear connection. Flange connection can be realized optionally.



USAGE AREAS

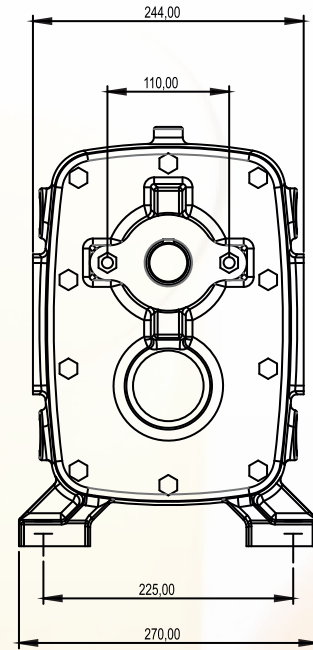
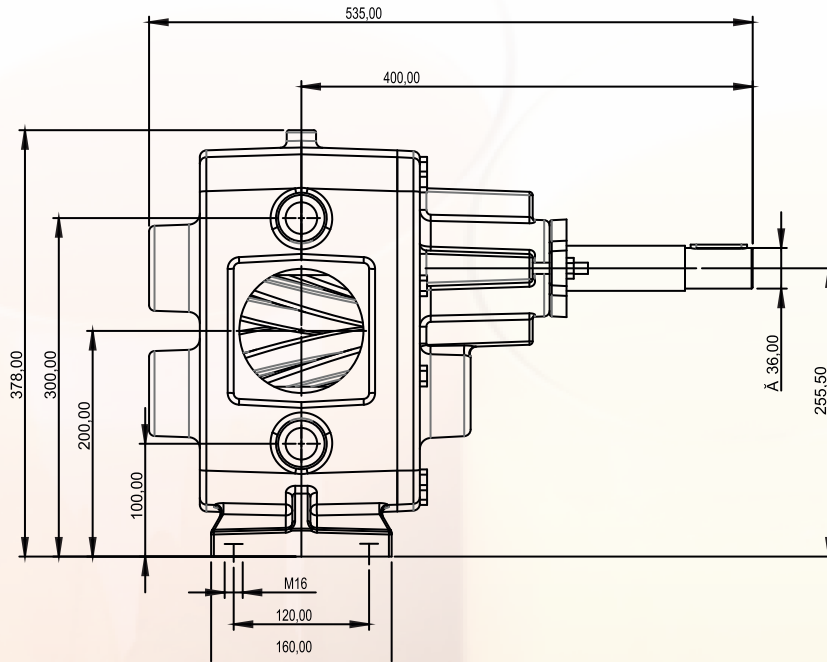
- ◆ Chemical Industry
- ◆ Food Industry
- ◆ Dye and Ink Industry
- ◆ Petroleum Chemical Industry
- ◆ Shipbuilding and Marine Industry

TECHNICAL SPECIFICATIONS AND PRODUCT ADVANTAGES

- ◆ Operable in large viscosity range
- ◆ Endurable construction
- ◆ High capacity in high efficiency
- ◆ Heat of the fluid which is transferred can be maintained.
- ◆ Low cavitation risk

USAGE OPTIONS

- ◆ Heating Cooling Ruler
- ◆ Gear Connected



MEASUREMENTS

MATERIALS

BODY	Gray Cast Iron, Nodular Cast Iron
	Stainless Steel 316-304
	Bronze Gbz14
SHAFT SEALING	Felt
	Soft Sealing
	Mechanical Sealing
	Cartex Packing
BED MATERIALS	Bronze, Carbon, Teflon
SHAFT	Steel, Stainless Steel, Teflon, Castermid
GEARS	Steel, Stainless Steel

DT 301 HELICAL GEAR PUMPS

TECHNICAL SPECIFICATIONS

Flow Rate (m ³ /h)	50		
Pressure (bar)	8	10	12
Power (kW)	30	37	45
Cycle (rpm)	1000	1000	1000
Inlet - Outlet	R4" - DN100 PN16		

- Values are for 220 cst. Please get in contact with our firm for different viscosity values.
- Our pump series with heating jacket have heat jackets on the body.



USAGE AREAS

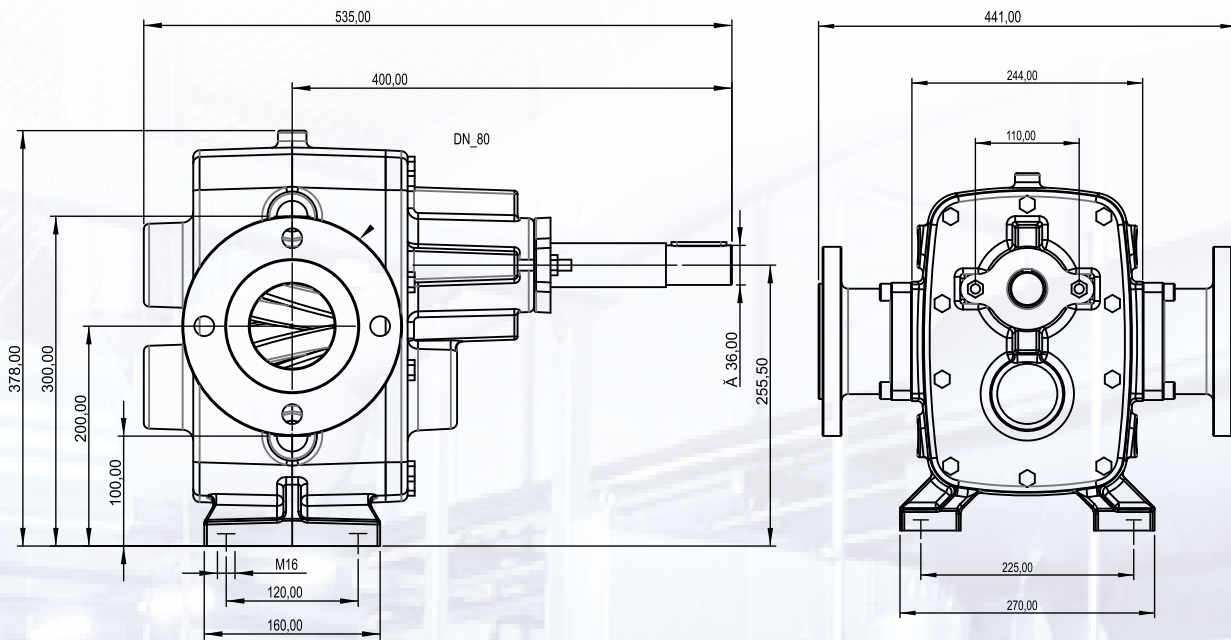
- ◆ Chemical Industry
- ◆ Food Industry
- ◆ Dye and Ink Industry
- ◆ Petroleum Chemical Industry
- ◆ Shipbuilding and Marine Industry

TECHNICAL SPECIFICATIONS AND PRODUCT ADVANTAGES

- ◆ Operable in large viscosity range
- ◆ Endurable construction
- ◆ High capacity in high efficiency
- ◆ Heat of the fluid which is transferred can be maintained.
- ◆ Low cavitation risk

USAGE OPTIONS

- ◆ Heating Cooling Ruler
- ◆ Gear Connected



MATERIALS

BODY	Gray Cast Iron, Nodular Cast Iron
	Stainless Steel 316-304
	Bronze Gbz14
SHAFT SEALING	Felt
	Soft Sealing
	Mechanical Sealing
	Cartex Packing
BED MATERIALS	Bronze, Carbon, Teflon
SHAFT	Steel, Stainless Steel, Teflon, Castermid
GEARS	Steel, Stainless Steel

www.pumpport.com

Made In Turkey
PUMPORT®

Pumpport Pompa ve Makina Sanayi



İkitelli Osb Mah. Bixan B1 Blok Sok. Bixan B1 Blok No:1 B1 İç Kapı No:52
Başakşehir / İSTANBUL

✉ sales@pumpport.com

☎ 0212 485 84 54